

12.0.5 Hydraulic tank installation

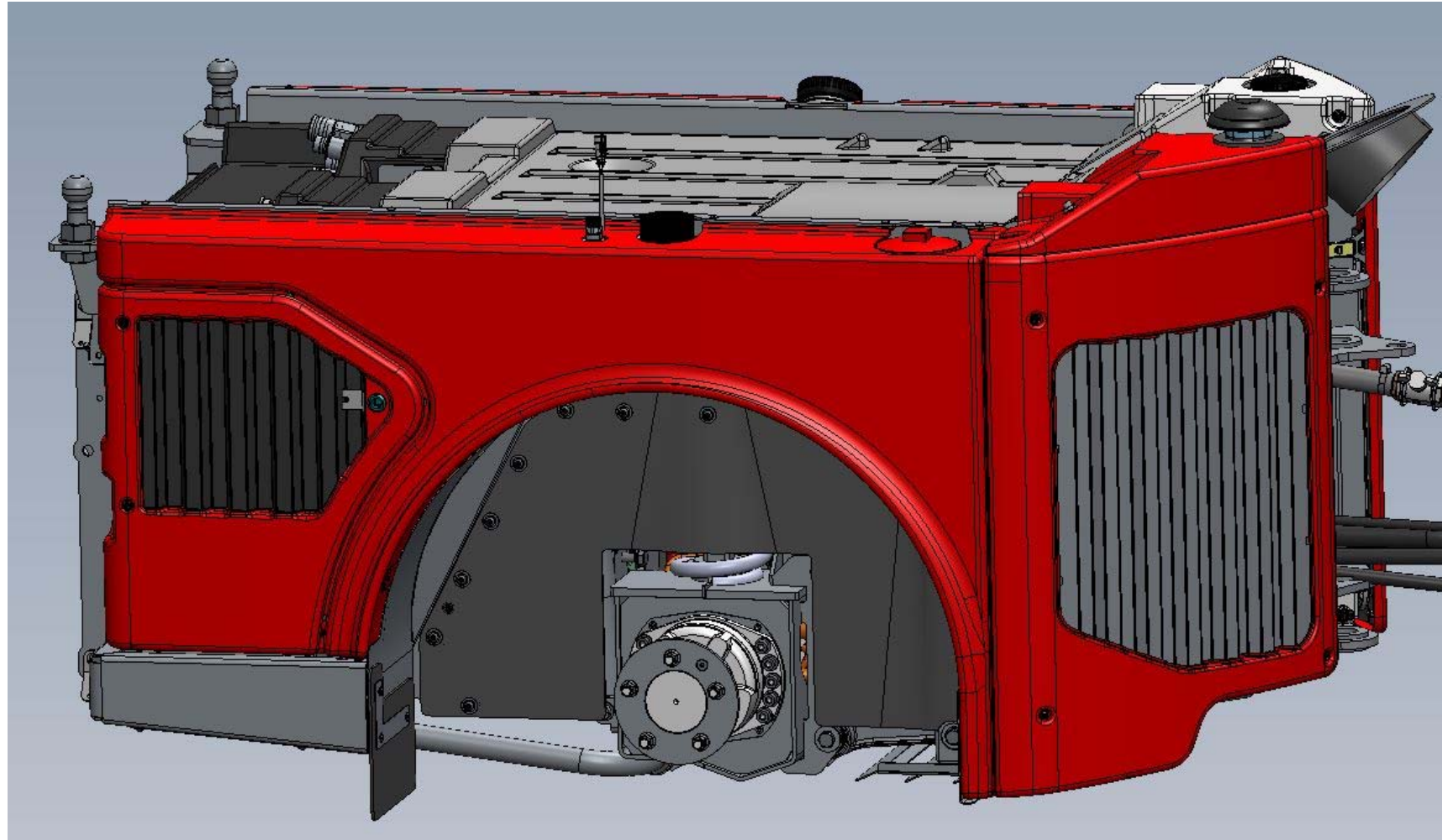
Inhalt / Contents

Seite / Page

Disassembly and assembly of hydraulik tank

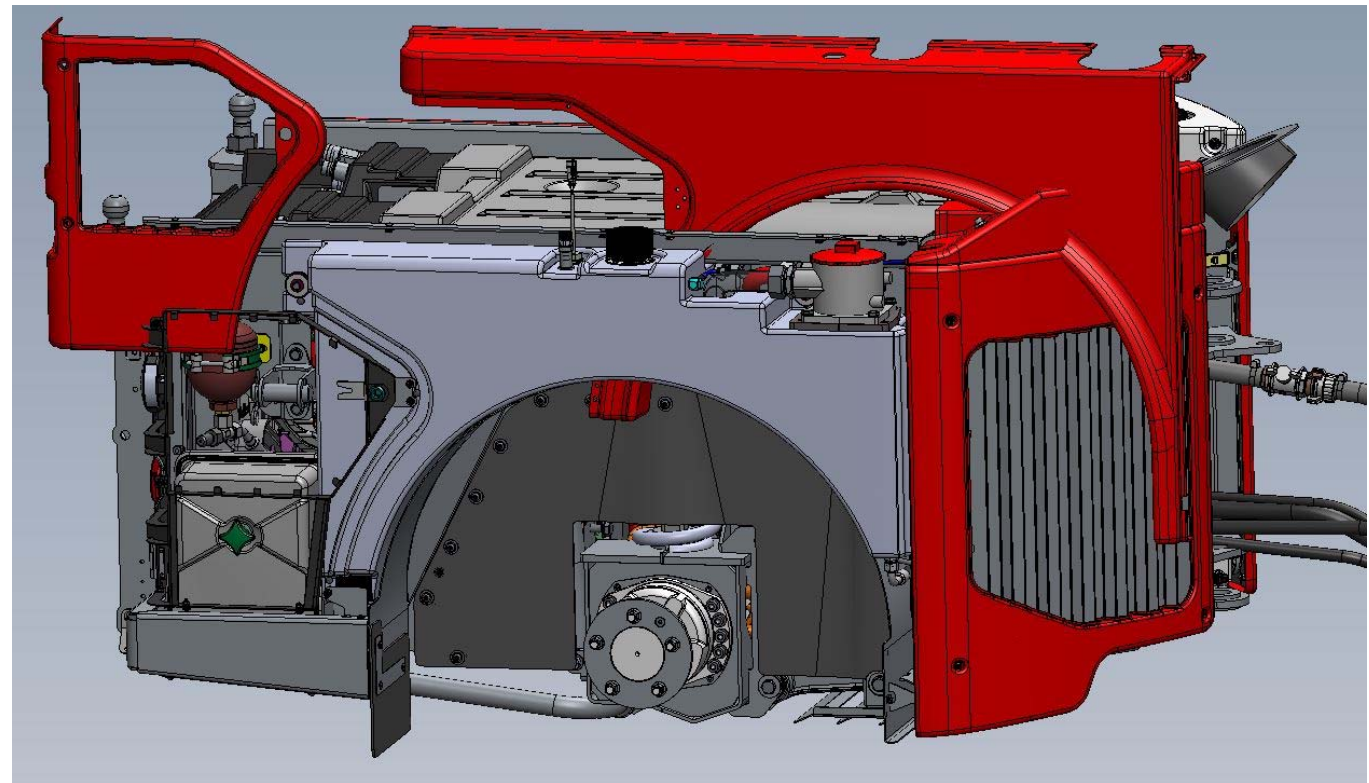
2 - 7

12.0.5 Hydraulic tank installation



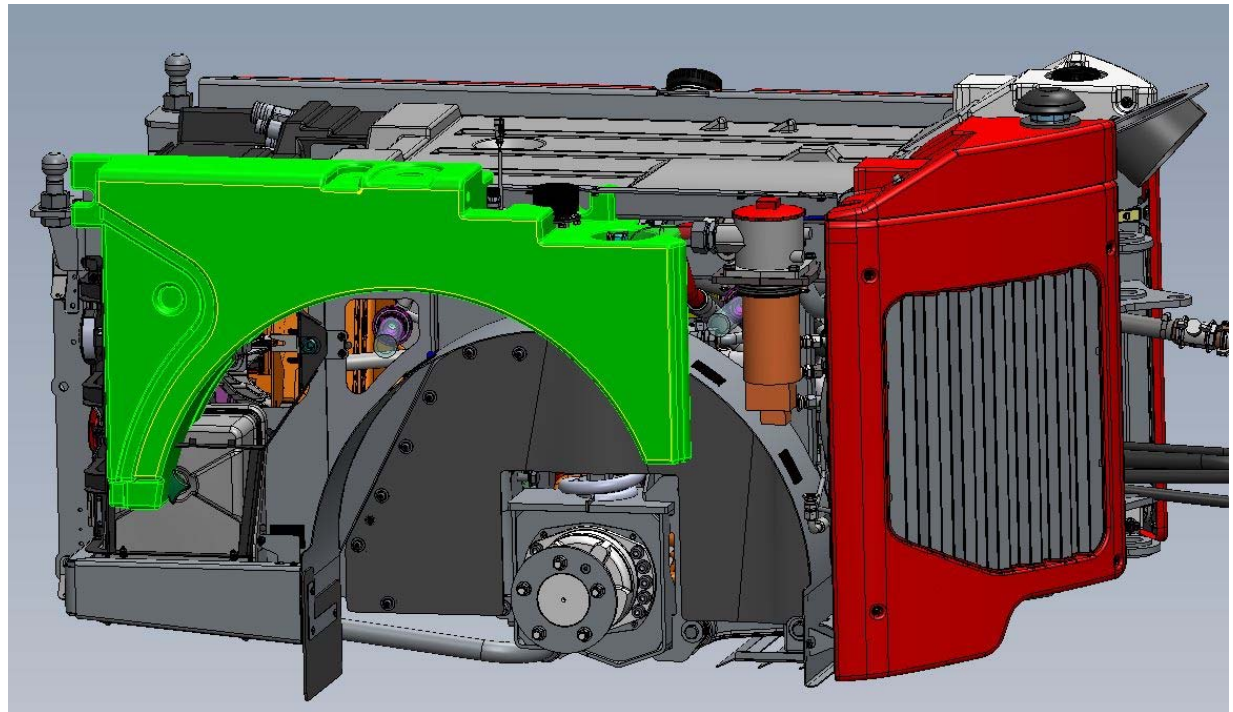
12.0.5 Hydraulic tank installation

Remove the covers in driving direction on the right side



12.0.5 Hydraulic tank installation

- Evacuate the hydraulik tank
- Disconnect the plugs from level sensor and temperature sensor
- Disassemble fixing screws (2X) from tank
- Loose hydraulic pipes (9X)



12.0.5 Hydraulic tank installation

Disassemble hydraulic tank



12.0.5 Hydraulic tank installation



12.0.5 Hydraulic tank installation

The assembly is done in revers sequence

